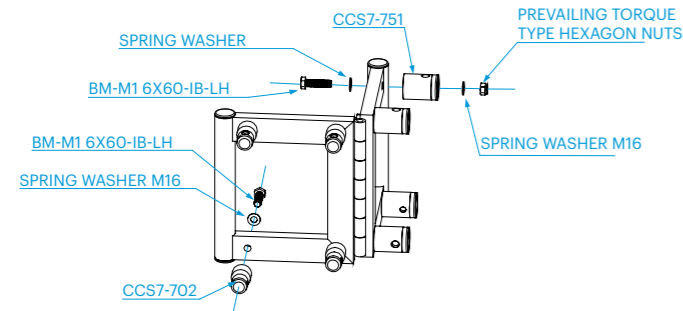


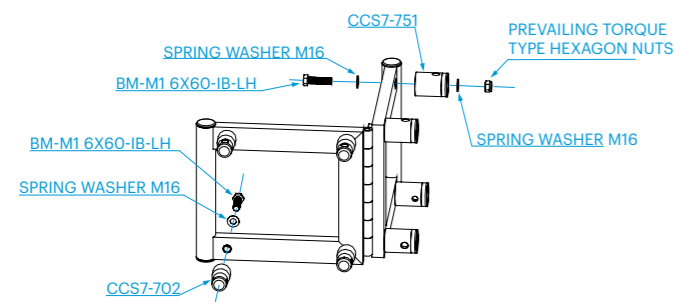


BOOK-36R/V

Book corner for 36V truss.



Book corner for 36R truss.



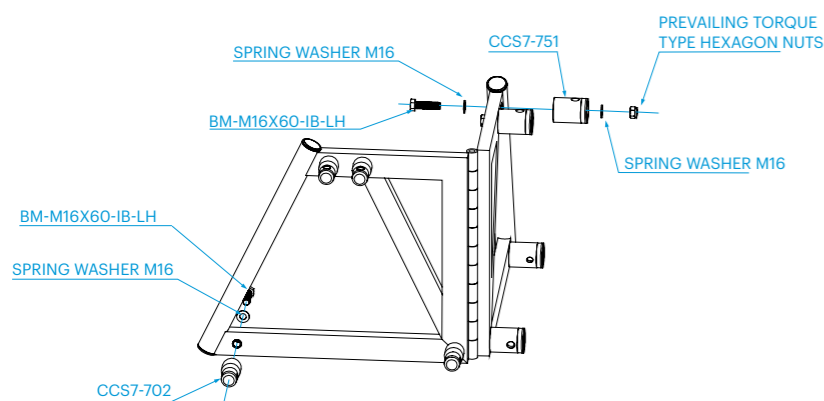
Technical specifications - Book Corners 36R/V

	kg	lbs	male coupler	bolt	female coupler	bolt	nut	spring washer
Book - 36R	16,2	35.8	CCS7-702	M16x60	CCS7-751	BM-M16x060	BM-M16-SN	BM-M16-SW
Book - 36V	17,2	38.0	CCS7-702	M16x60	CCS7-751	BM-M16x060	BM-M16-SN	BM-M16-SW

1 inch = 25,4 mm | 1 m = 3.28 ft | 1 lbs = 0,453 kg | 1 daN = 10 N - 1 kg

BOOK-52F

Book corner for 52F truss.



Technical specifications - Book Corners 52F

	kg	lbs	male coupler	bolt	female coupler	bolt	nut	spring washer
Book - 52F	21,5	47.5	CCS7-702	M16x60	CCS7-751	BM-M16x060	BM-M16-SN	BM-M16-SW
Book - 52S/SV	20,7	45.7	CCS7-702	M16x60	CCS7-751	BM-M16x060	BM-M16-SN	BM-M16-SW

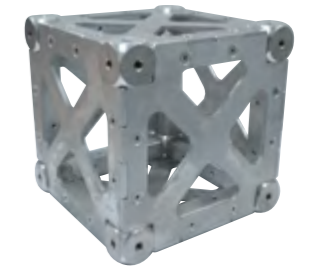
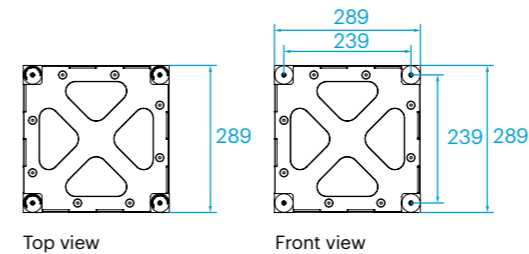
1 inch = 25,4 mm | 1 m = 3.28 ft | 1 lbs = 0,453 kg | 1 daN = 10 N - 1 kg

Heavy Duty Box Corner is a fully plated and bolted element and therefore is much stronger than the regular box corner. This allows you to build any 2D or 3D structures without losing involuntary strength due to the corner types used.

Due to its clever design, where the plated sides interlock with each other, the exact 90-degree shape is guaranteed. In combination with the narrow tolerances, this box corner is suitable to use in combination with the Verto truss as well. Furthermore, the plates can easily be changed in case of damages, offering an efficient and cost effective solution.

BOX-30V-HD-0

Heavy duty box corner for 30V truss.

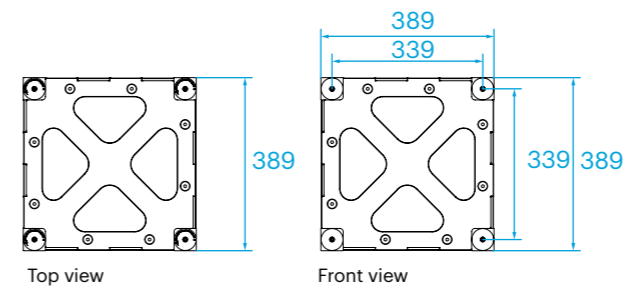


Technical Specifications Boxcorner 30V HD

Alloy	EN-AW6082T6
Bolts	grade 8.8
Self weight	12.5 kg

BOX-40V-HD-0

Heavy duty box corner for 40V truss.

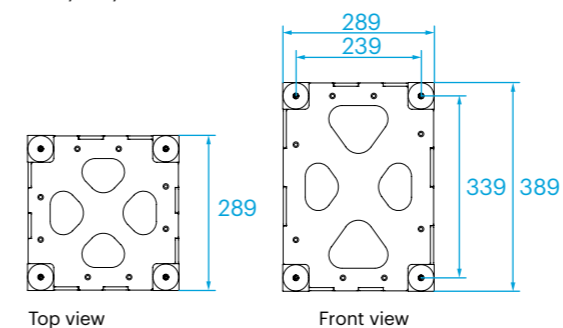


Technical Specifications Boxcorner 40V HD

Alloy	EN-AW6082T6
Bolts	grade 8.8
Self weight	24.5 kg

BOX-40R-HD-0

Heavy duty box corner for 40R truss.



Technical Specifications Boxcorner 40R HD

Alloy	EN-AW6082T6
Bolts	grade 8.8
Self weight	18.5 kg

In horizontal direction the boxcorner takes the H40R truss and in vertical direction the boxcorner takes the H30V truss.