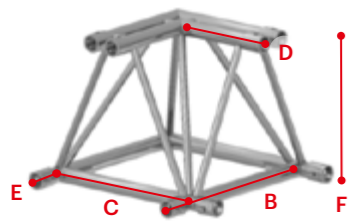




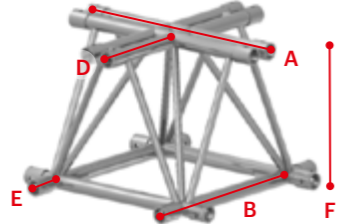
Standard Corners - S52F Series

measurements in mm	A	B	C	D	E	F
S52F	740	655	580	305	85	530

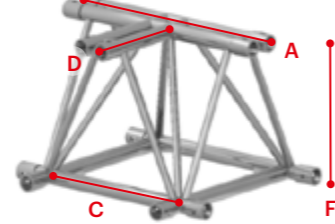
S52F - C003



S52F - C016



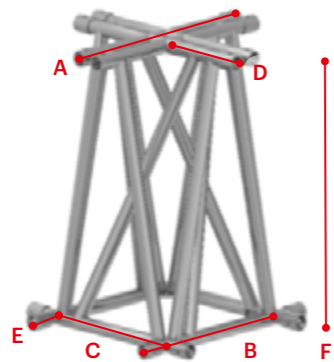
S52F - C017



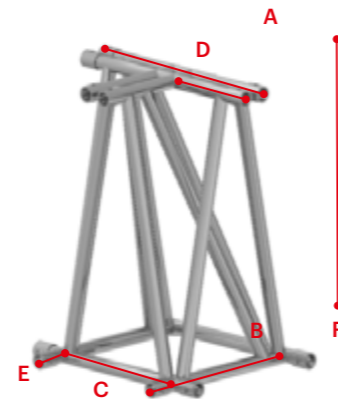
Standard Corners - S100F Series

measurements in mm	A	B	C	D	E	F
S100F	740	655	570	305	85	1010

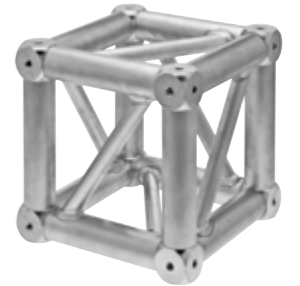
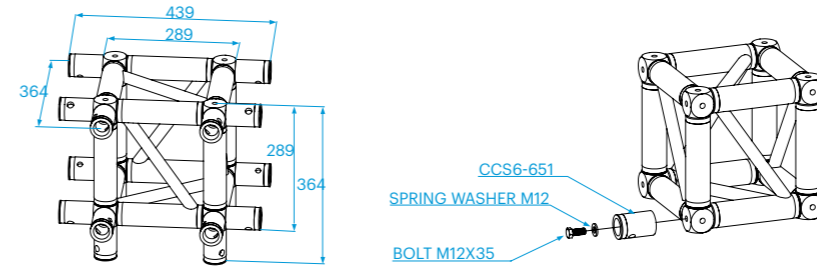
S100F - C016



S100F - C017

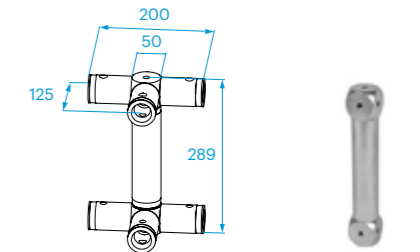
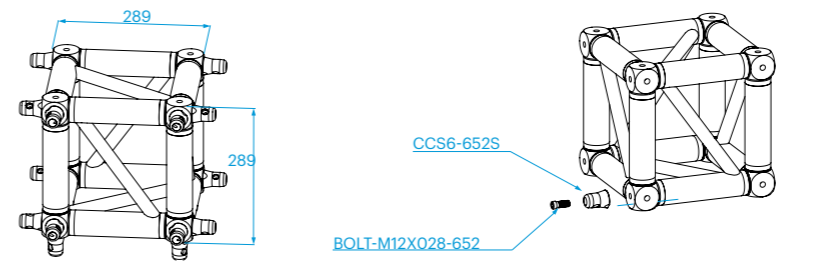


BOX-30V-0



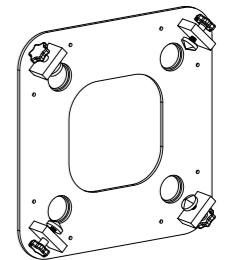
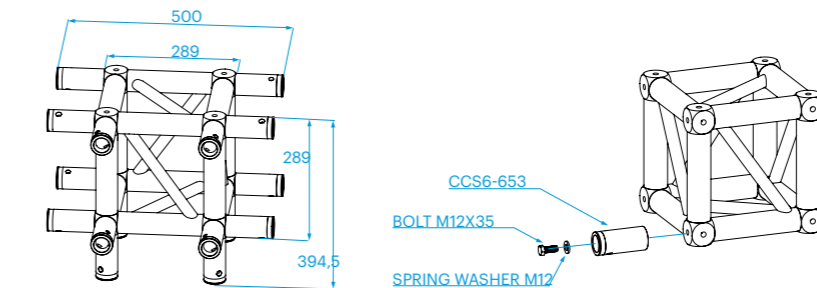
BOX-30L-0

Ladder BoxCorner for X•H30 truss. Measurements.



BOX-30 - KIT

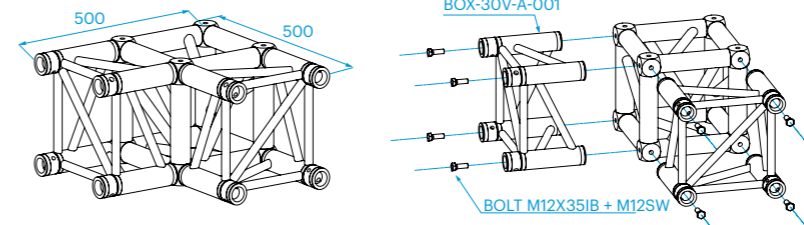
Kit for fixation and assembly. CCS6-651 to box 30V.



BOX-30V-A-001

BoxCorner for X • H30V truss. Measurements.

Assembly.



BOX-30V-ATT

BoxCorner attachment, pre- assembled CCS6-651 couplers.



BoxCorner with attachments with same dimensions as standard corner.

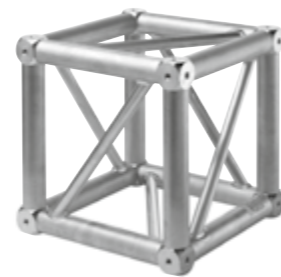
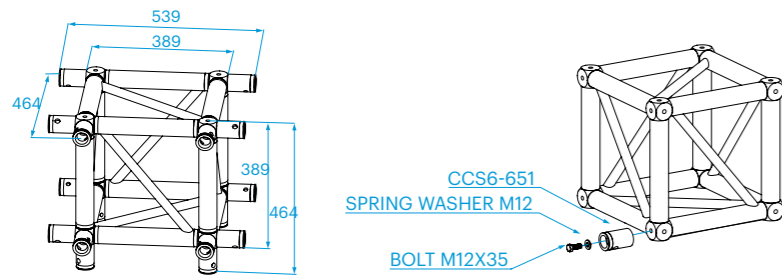
Technical specifications - 30V BoxCorners

0-way		2-way		3-way		4-way		5-way		6-way		coupler	bolt	spring washer
kg	lbs	kg	lbs	kg	lbs	kg	lbs	kg	lbs	kg	lbs			
9,9	21.2	12,2	26.9	13,5	29.8	14,8	32.7	16,1	35.5	17,4	38.4	CCS6 - 651	BM-M12x035	BM-M12xSW
												CCS6 - 652	BM12x028 - 652	-
												CCS6 - 653	BM-M12x035	BM-M12xSW

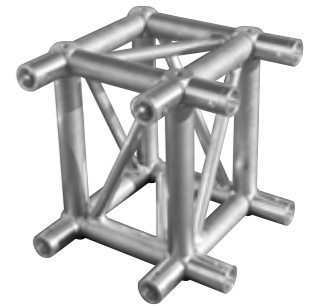
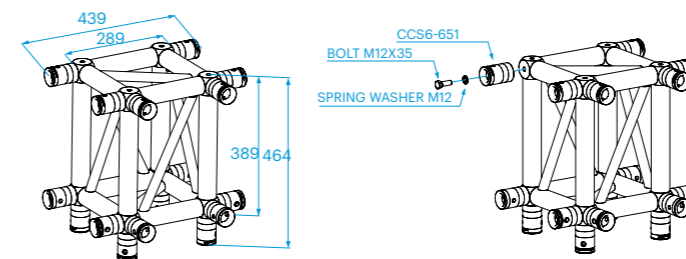
1 inch = 25,4 mm | 1 m = 3.28 ft | 1 lbs = 0,453 kg | 1 daN = 10 N - 1 kg



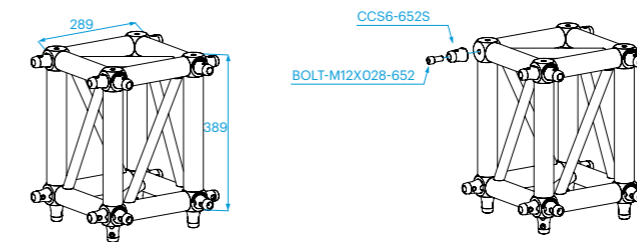
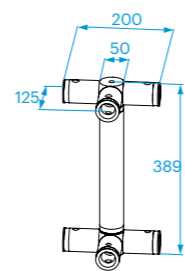
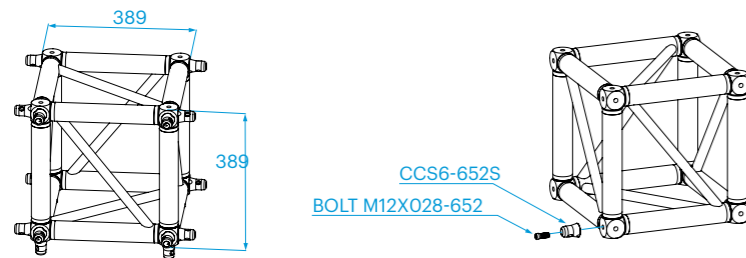
BOX-40V-0



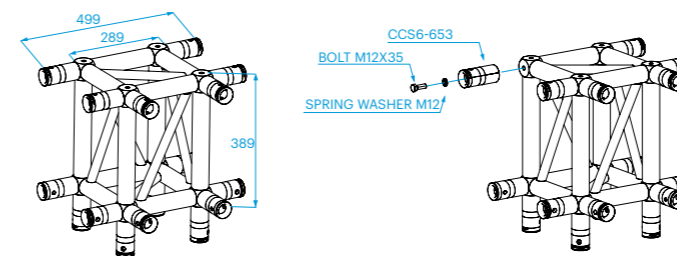
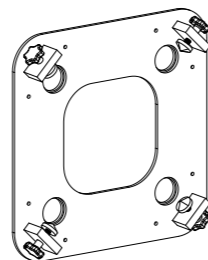
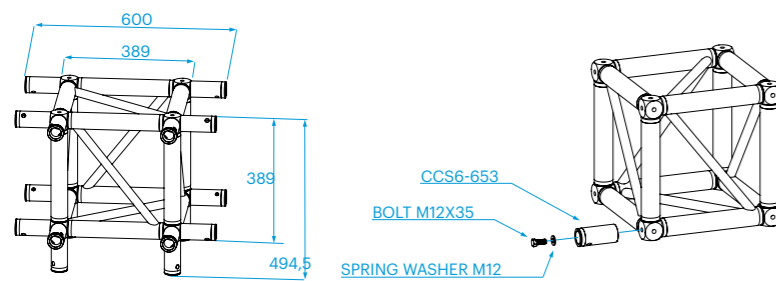
BOX-40R-0



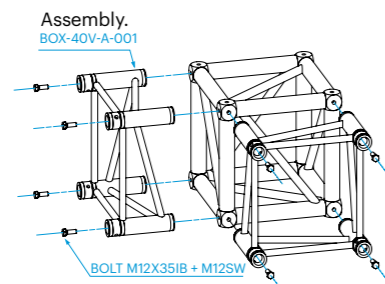
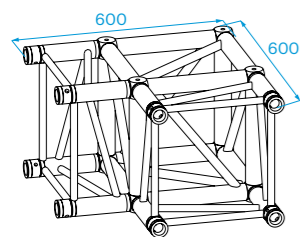
BOX-40L-0
Ladder BoxCorner for H40 truss. Measurements.



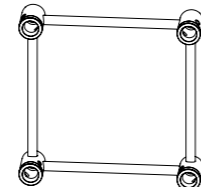
BOX-40-KIT
Kit for fixation and assembly. CCS6-651 to box 40V.



BOX - 40V - A001-A-001
BoxCorner for H40V truss. Measurements.

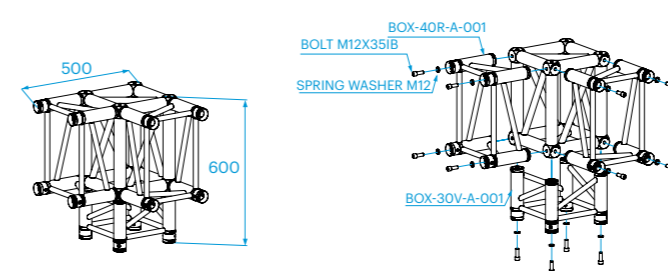


BOX-40V-ATT
BoxCorner attachment, pre-assembled CCS6-651 couplers.



BoxCorner with attachments with same dimensions as standard corner.

BOX-40R-A-001



Technical specifications - 40V BoxCorners

0-way		2-way		3-way		4-way		5-way		6-way		coupler	bolt	spring washer
kg	lbs	kg	lbs	kg	lbs	kg	lbs	kg	lbs	kg	lbs			
11,5	25.4	14,1	31.1	15,4	34.0	16,7	36.9	18,0	39.7	19,3	42.6	CCS6 - 651	BM-M12X035	BM-M12-SW
												CCS6 - 652	BM12x028 - 652	-
												CCS6 - 653	BM-M12X035	BM-M12-SW

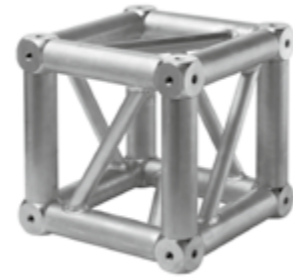
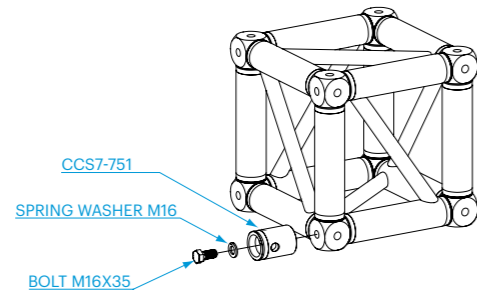
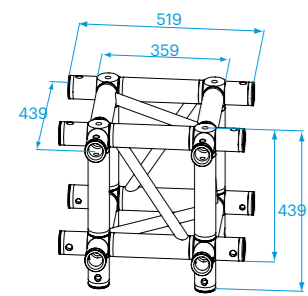
1 inch = 25,4 mm | 1 m = 3.28 ft | 1 lbs = 0,453 kg | 1 daN = 10 N - 1 kg



BOX-36V-0

BoxCorner for S36V truss.

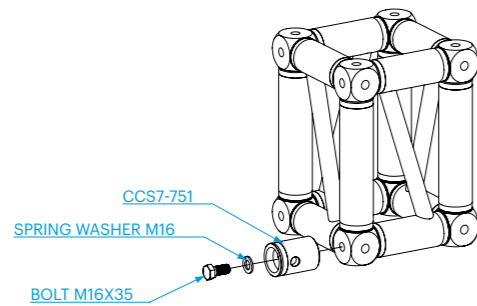
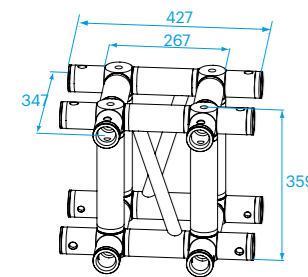
Assembly



BOX-36R-0

BoxCorner for S36R truss.

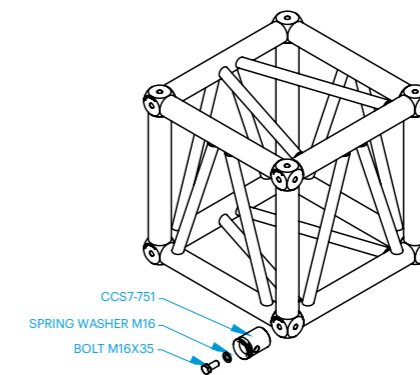
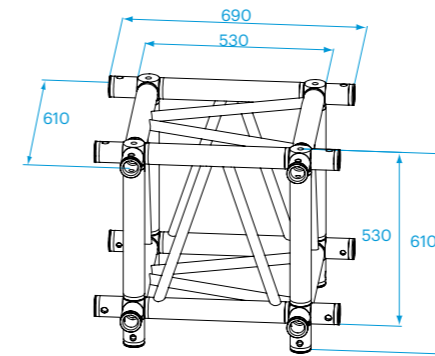
Assembly



BOX-52V-0

BoxCorner for S52/SV truss.

Assembly

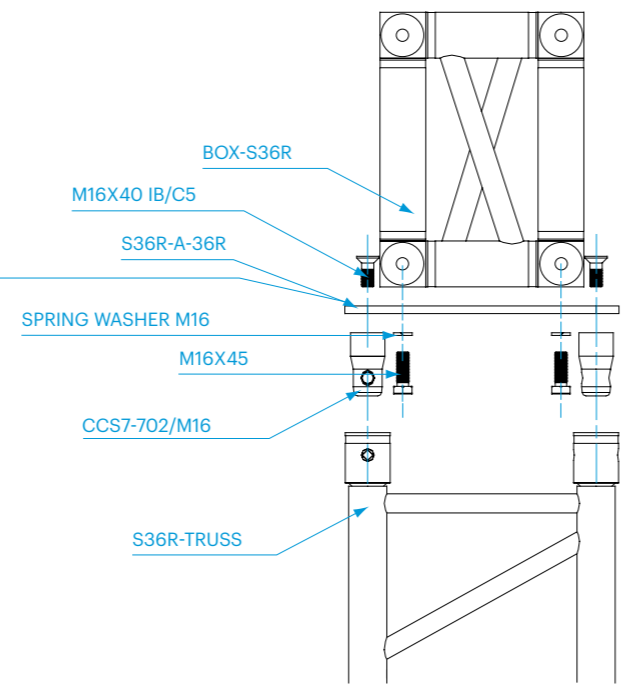


Technical specifications - S52 BoxCorners

	0-way		2-way		3-way		4-way		5-way		6-way		coupler	bolt	spring washer
	kg	lbs	kg	lbs	kg	lbs	kg	lbs	kg	lbs	kg	lbs			
Box - 52V / SV	22,7	50,1	24,5	54,1	26,3	58,1	28,0	61,8	29,8	65,8	31,6	69,8	CCS7-751	BM-M16-035	BM-M16-SW

1 inch = 25,4 mm | 1 m = 3.28 ft | 1 lbs = 0,453 kg | 1 daN = 10 N - 1 kg

ADAPTER S36R
Also available for a symmetrical setup with female couplers or an asymmetrical setup with female couplers.

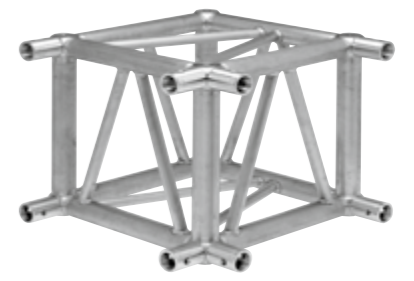
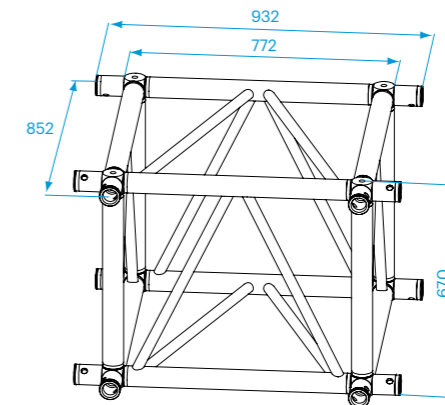
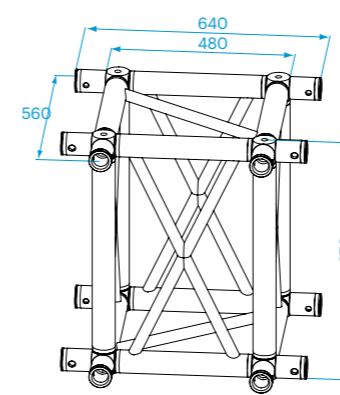


BOX-66R-0

BoxCorner for S66R truss.

BOX-66V-0

BoxCorner for S66V truss.



Technical specifications S36 BoxCorners

	0-way		2-way		3-way		4-way		5-way		6-way		coupler	bolt	spring washer
	kg	lbs	kg	lbs	kg	lbs	kg	lbs	kg	lbs	kg	lbs			
Box - 36R	15,9	35,1	17,7	39,1	19,5	43,0	21,2	46,8	23,0	50,8	24,8	54,7	CCS7-751	BM-M16x035	BM-M16-SW
Box - 36V	21,0	46,4	22,8	50,3	24,5	54,1	26,3	58,1	28,1	62,0	29,9	66,0	CCS7-751	BM-M16x035	BM-M16-SW

1 inch = 25,4 mm | 1 m = 3.28 ft | 1 lbs = 0,453 kg | 1 daN = 10 N - 1 kg

Technical specifications - S66 BoxCorners

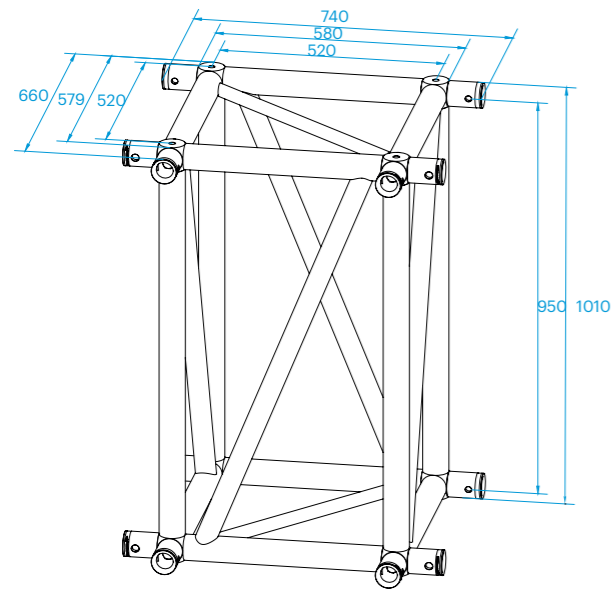
	0-way		2-way		3-way		4-way		5-way		6-way		coupler	bolt	spring washer
	kg	lbs	kg	lbs	kg	lbs	kg	lbs	kg	lbs	kg	lbs			
Box - 66R	24,2	53,4	26	57,4	29,6	65,3	31,3	69,1	33,1	73,1	34,9	77	CCS7-751	M16x35	M16
Box - 66V	28,2	62,3	30	66,2	31,8	70,2	33,5	74	35,3	77,9	37,1	81,9	CCS7-751	M16x35	M16

1 inch = 25,4 mm | 1 m = 3.28 ft | 1 lbs = 0,453 kg | 1 daN = 10 N - 1 kg

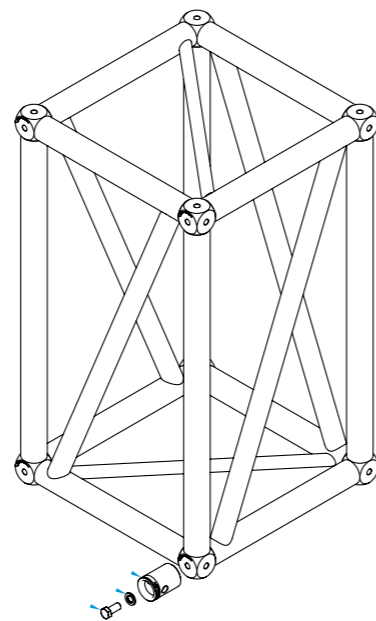


BOX-100RV-0

BoxCorner for B100RV truss.



Assembly (1 : 10)



CCS7-751
SPRING WASHER M16
BOLT M16X35

Technical specifications - B100RV BoxCorners

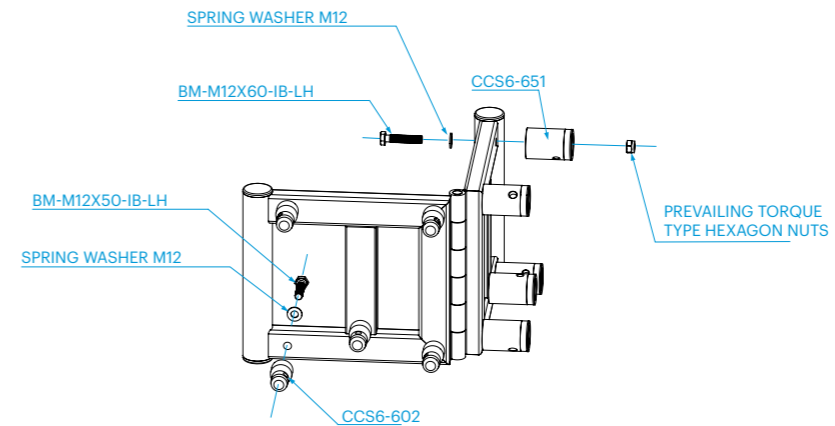
	0-way		2-way		3-way		4-way		5-way		6-way		bot	nordlock
	kg	lbs	kg	lbs	kg	lbs	kg	lbs	kg	lbs	kg	lbs		
Box - 100RV	36.1	79.67	39.7	87.62	41.5	91.59	43.3	95.56	45.1	99.53	46.9	103.51	BM-M16x035	BM-M16-nordl

1 inch = 25,4 mm | 1 m = 3.28 ft | 1 lbs = 0,453 kg | 1 daN = 10 N ~ 1 kg

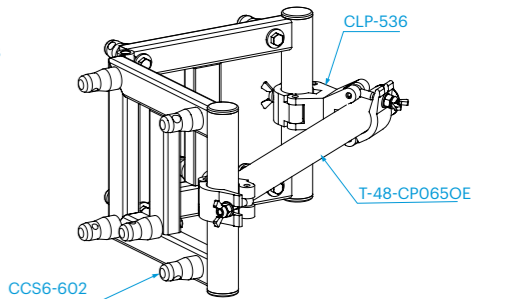
BOOK-30D/V

Assembly

Book corners can not be used as load bearing component. Loading should be supported form both sides of the book corner.



Book corner for 30D/V truss.



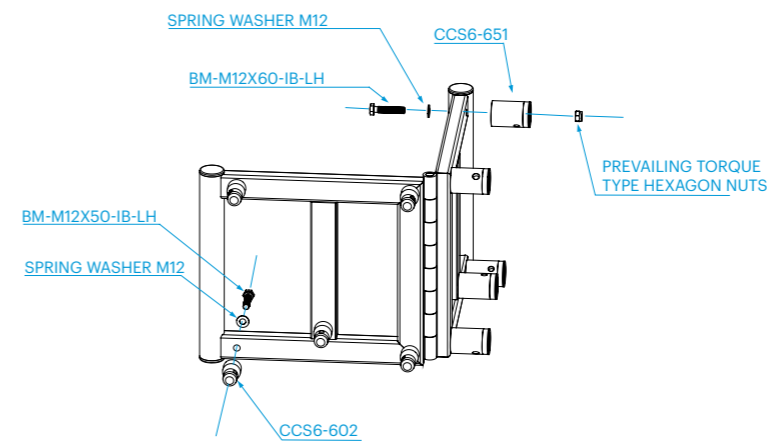
Technical specifications - Book Corners 30D/V

	kg	lbs	male coupler	bolt	female coupler	bolt	nut	spring washer
Book - 30D/V	12,0	26.5	CCS6 - 602	M12x55	CCS6 - 651	BM-M12x060	BM-M12-SN	BM-M12-SW

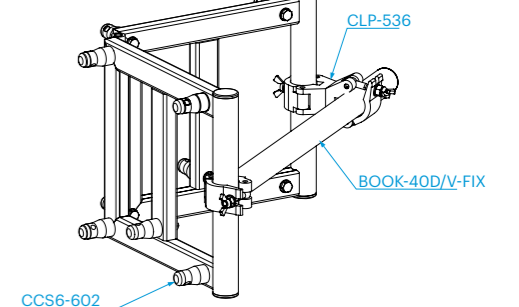
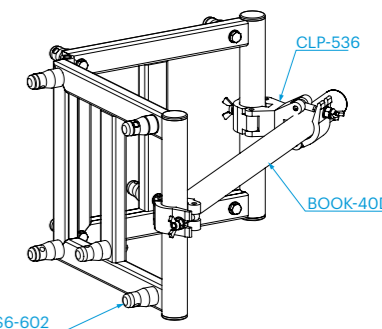
1 inch = 25,4 mm | 1 m = 3.28 ft | 1 lbs = 0,453 kg | 1 daN = 10 N ~ 1 kg

BOOK-40D/V

Assembly



Book corner for 40D/V truss.



Technical specifications - Book Corners 40D/V

	kg	lbs	male coupler	bolt	female coupler	bolt	nut	spring washer
Book - 40D/V	15,5	34.2	CCS6 - 602	M12x55	CCS6 - 651	BM-M12x060	BM-M12-SN	BM-M12-SW

1 inch = 25,4 mm | 1 m = 3.28 ft | 1 lbs = 0,453 kg | 1 daN = 10 N ~ 1 kg