

LITEDECK HANDRAILS

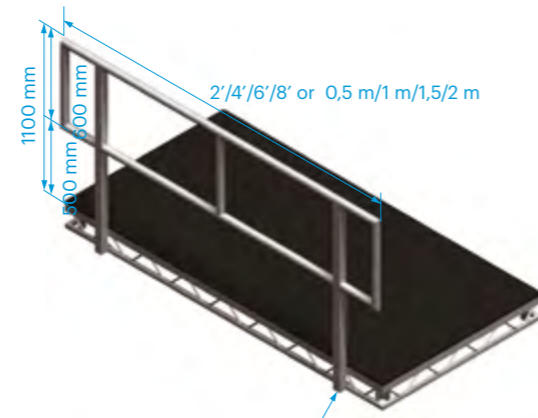
Handrails are a key component in creating safe and useable working platforms. All LiteDeck handrail products are constructed from 6082T6 aluminium section, and are designed to bolt, quickly and securely, to

OPEN HANDRAILS

This lightweight design is suitable for staging applications where the area will not be used for public access.



specific mounting points located on the side of each deck. LiteDeck handrails are available in two configurations, with the appropriate handrail system dependent upon the application and therefore the required legislative conformity.



NEEDED FOR ASSEMBLY:

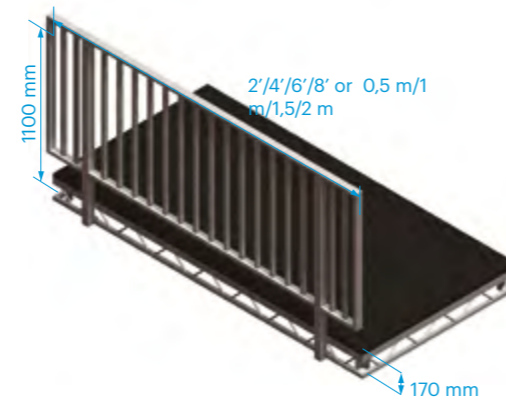
Description:	Code:
M10 x 90, 8.8 DIN931	BM-M10X090
Wsh M10 Spring DIN127B	BM-M10-SW
Nut M10 DIN934	BM-M10-N

Imperial	2' Rail	4' Rail	6' Rail	8' Rail
Length	2'	4'	6'	8'
Weight	3,5 kg	6,4 kg	7,2 kg	8,4 kg
Code	LD-HS2	LD-HS4	LD-HS6	LD-HS8

Metric	1 m Rail	2 m Rail
Length	1000 mm	2000 mm
Weight	6,14 kg	7,8 kg
Code	LD-MH51	LD-MH52

SPOKED HANDRAILS

This design incorporates vertical rails to offer protection where the area will be open to public access. The apertures conform to British Standard regulations and therefore the product complies with typical exhibition hall stipulations.



Imperial	2' Rail	4' Rail	6' Rail	8' Rail
Length	2'	4'	6'	8'
Weight	6,2 kg	12,3 kg	15,3 kg	18,6 kg
Code	LD-HS2E	LD-HS4E	LD-HS6E	LD-HS8E

Metric	1 m Rail	2 m Rail
Length	1000 mm	2000 mm
Weight	10,8 kg	16,1 kg
Code	LD-MHS1E	LD-MHS2E

LITEDECK ACCESSORIES

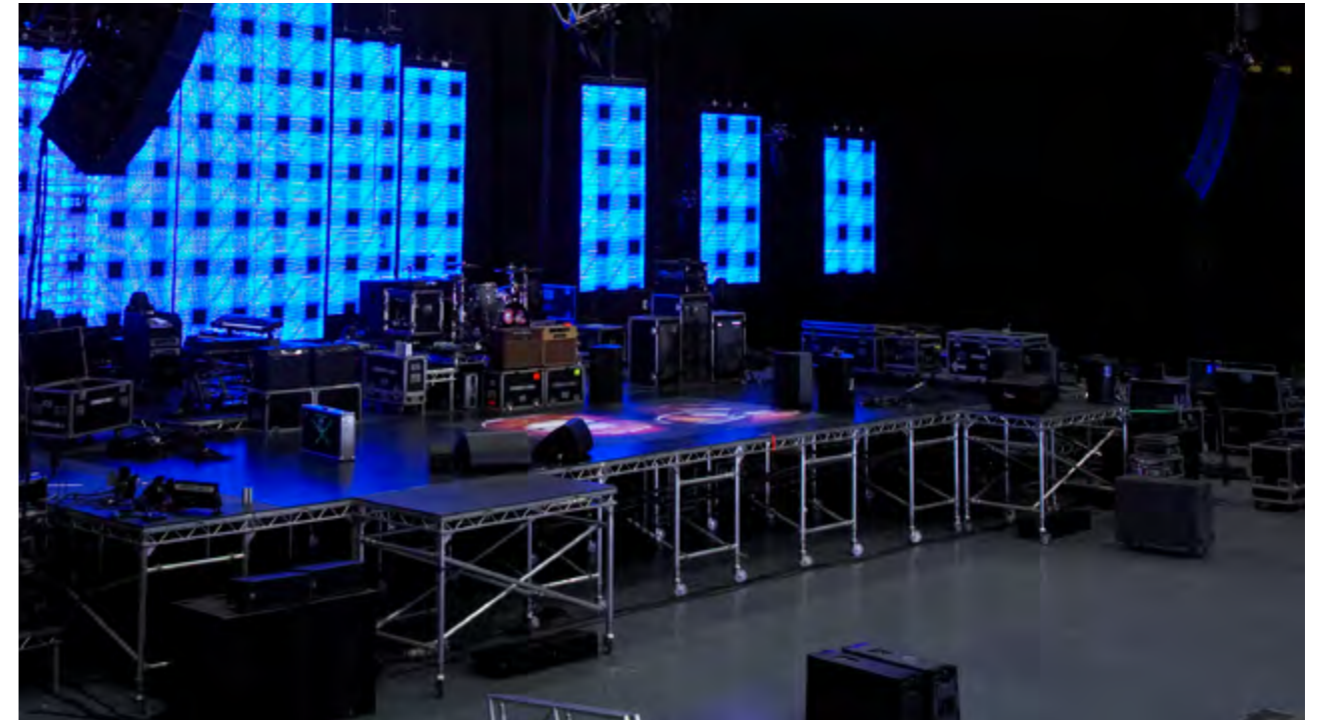


Photo: Stereophonics.

The LiteDeck range is further enhanced by a range of accessories designed specifically to increase the speed and ease of build whilst maintaining the inherent safety aspect of any stage design. Many of these LiteDeck ac-

cessories have been developed on tour, and as such are both quick to use and extremely robust.



Description:	Code:
Nut M10 DIN934	BM-M10-N



Description:	Code:
M10 x 70, 8.8 DIN931	BM-M10X070



Description:	Code:
Spring Washer M10 DIN127B	BM-M10-SW