



Renowned for enduring performance and smart aesthetic design, LiteDeck is the most popular decking system in the demanding world of touring productions. Tried and tested around the world, it is a lightweight yet robust staging solution with a proven record of reliable performance.

**TOP OPTIONS**

A variety of options for the top board surface completes the LiteDeck range. Provided as standard is our most popular finish, a durable 19 mm plywood painted matte black connected (as with all tops) by a set of bolts which allow removal, maintenance and replacement over the life of the deck. For more elaborate applications, LiteDeck is also available with clear acrylic tops to allow the transmission of lights from under the stage.

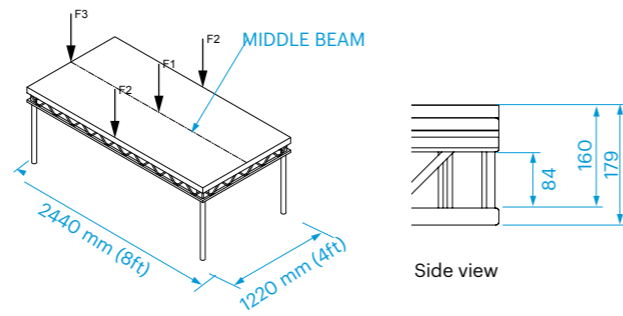


Description	Technical	Code
Macrolon Top	19 mm Hardened Acrylic	Standard deck code followed by Mac

\* Please note, special legs (6 mm shorter) are required with this top configuration.

**STRUCTURALLY APPROVED**

LiteDeck system is designed to provide a 5 kN/m<sup>2</sup> uniform load rating in all configurations when used in compliance with our assembly guidelines. Only genuine LiteDeck components should be used, and full design calculations and assembly layouts are available on request.



**Loading types**

Uniformly distributed load	500 kg/m <sup>2</sup>
Pointload F1	360 kg
Pointload F2	360 kg
Pointload F3	360 kg

The pointload should be applied to a minimum area of 50 x 50 mm. Pointload to be placed as indicated on drawing. 1 pointload total allowed.

**TOPLOK SYSTEM**

Introduced specifically in response to feedback from touring productions, the optional TopLok system offers time savings (with crew and cost benefits) in assembling any stage configuration. Utilising an integrated claw catch design, decks can be joined from above with the single turn of an Allen key, ensuring the fastest possible build and strike times.

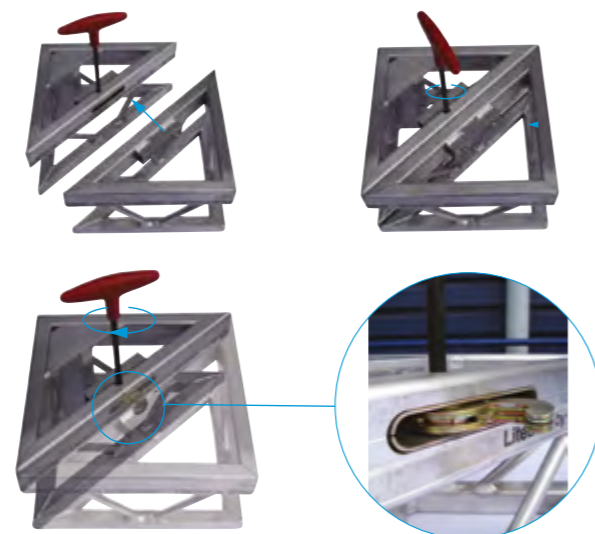


Photo: Scissor Sisters

**SHAPES AND SIZES**

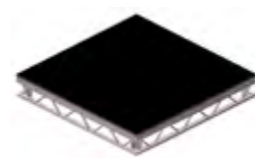
The LiteDeck system is available in a wide range of shapes and sizes, allowing hundreds of stage configurations to be created from a relatively narrow stock of standard components. LiteDeck is also available in either imperial or metric measurements, ensuring compatibility

with structural formats across the world.


\* LiteDeck weights are based upon standard units, without TopLok and with the inclusion of 19 mm plywood tops. Other configurations will differ in weight.



Size	Code	TopLok Code	Weight*
4' x 2'	LD-42FT-S	LD-42FT-TL	17,00 kg
8' x 4'	LD-84FT-S	LD-84FT-TL	49,00 kg
2 m x 1 m	LD-21M-S	LD-21M-TL	36,00 kg




Size	Code	TopLok Code	Weight*
4' x 4'	LD-44FT-S	LD-44FT-TL	27,50 kg
1 m x 1 m	LD-11M-S	LD-11M-TL	21,00 kg



Size	Code	TopLok Code	Weight*
4' x 4'	LD-44FT-S-RA	LD-44FT-TLP-RA	19,50 kg
1 m x 1 m	LD-11M-S-RA	LD-11M-TLP-RA	14,50 kg



Size	Code	TopLok Code	Weight*
6' x 4'	LD-64FT-S	LD-64FT-TL	33,50 kg




Size	Code	TopLok Code	Weight*
4' x 4'	LD-44FT-S-IQ	LD-44FT-TL-IQ	13,50 kg




Size	Code	TopLok Code	Weight*
4' x 4'	LD-44FT-S-Q	LD-44FT-TLP-Q	27,00 kg
1 m x 1 m	LD-11M-S-Q	LD-11M-TLP-Q	21,00 kg



Size	Code	TopLok Code	Weight*
8' x 2'	LD-82FT-S	LD-82FT-TL	36,00 kg



**Circular Decks**  
Available on request.



**Semi Circular Decks**  
Available on request.



**LITEDECK LEG SYSTEM**

LiteDeck is designed around a universal leg system constructed from standard 48 mm x 4 mm round section aluminium tubes. All LiteDeck legs are constructed from high grade 6082T6 tubes, and are supplied cut to length.

Code	Description	
LD-L165	Leg 16,5 cm	Stage height 19 cm
LD-L355	Leg 35,5 cm	Stage height 38cm
LD-L545	Leg 54,5 cm	Stage height 57 cm
LD-L735	Leg 73,5 cm	Stage height 76 cm
LD-L925	Leg 92,5 cm	Stage height 95 cm

Shape	Size	Quantity
	8' x 4'	4
	6' x 4'	4
	8' x 2'	4
	2 m x 1 m	4
	4' x 4'	4
	1 m x 1 m	4
	4' x 4'	3
	1 m x 1 m	3
	4' x 4'	3
	1 m x 1 m	3
	4' x 4'	4
	1 m x 1 m	4



**STEP SYSTEMS**

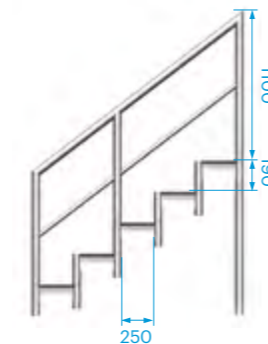
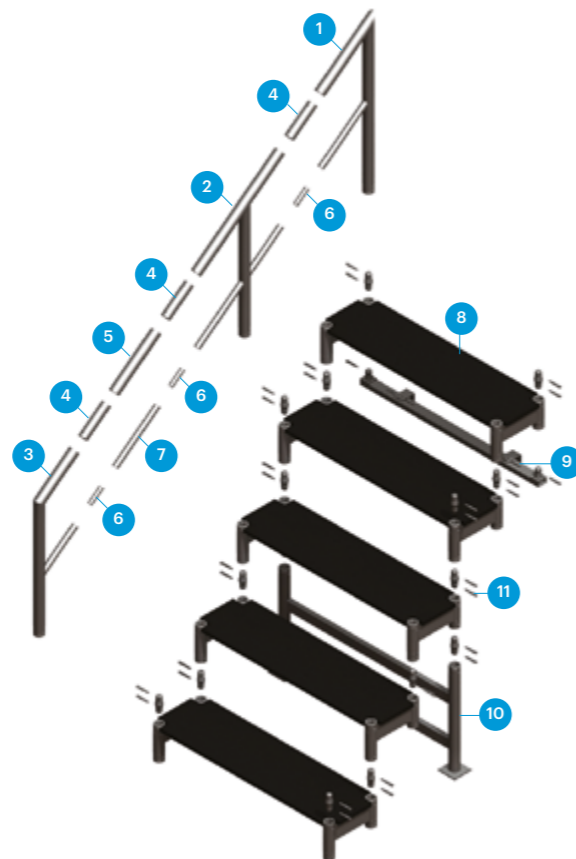
The LiteDeck Modular Step system is designed specifically to offer the greatest flexibility from the smallest number of standard components. In this way, rental companies, event organisers and production teams can

plan incremental investments in the system, confident that they will be able to offer step configurations to suit every eventuality.



Typical step unit configuration

- 1 Handed top rail
- 2 Handed mid rail
- 3 Handed bottom rail
- 4 Expanding spigot Ø50 mm
- 5 Ø50 mm Infill tube for handrail
- 6 Expanding spigot Ø30 mm
- 7 Ø30 mm Infill tube for handrail
- 8 LD-SUM-1 Modular step
- 9 Leg frame
- 10 Hook on step bracket
- 11 Taperlok connection



Code	Components	Step Units												
		2 Step	3 Step	4 Step	5 Step	6 Step	7 Step	8 Step	9 Step	10 Step	11 Step	12 Step	13 Step	
LD-MSU	Modular Steps	2	3	4	5	6	7	8	9	10	11	12	13	
LD-MHBL / LD-MHBR	Handed Bottom Rails left / right	2	2	2	2	2	2	2	2	2	2	2	2	
LD-MHML / LD-MHMR	Handed Mid Rails left / right			2	2	2	2	2	2	2	2	2	2	
LD-MHTL / LD-MHTR	Handed Top Rails left / right	2	2	2	2	2	2	2	2	2	2	2	2	
LD-30IF314	314 mm Ø30 mm infill tube for Handrail		2		2	4	2							
LD-30IF628	628 mm Ø30 mm infill tube for Handrail						2	4	2					
LD-30IF942	942 mm Ø30 mm infill tube for Handrail								2	4	2			
LD-30IF1256	1256 mm Ø30 mm infill tube for Handrail										2	4	2	
LD-30IF1570	1570 mm Ø30 mm infill tube for Handrail												2	
50FILL314	314 mm Ø50 mm infill tube for Handrail		2		2	4	2							
50FILL628	628 mm Ø50 mm infill tube for Handrail						2	4	2					
50FILL942	942 mm Ø50 mm infill tube for Handrail								2	4	2			
50FILL1256	1256 mm Ø50 mm infill tube for Handrail										2	4	2	
50FILL1570	1570 mm Ø50 mm infill tube for Handrail												2	
LD-MLF424	Leg Frame 424 mm			1	1	1	1	1	1	1	1	1	1	
LD-MLF994	Leg Frame 994 mm						1	1	1	1	1	1	1	
LD-MHO	Hook On Step Bracket	1	1	1	1	1	1	1	1	1	1	1	1	
SP/AES (2)	Expanding Spigot Ø30 mm	2	4	4	6	8	8	8	8	8	8	8	8	
AO/AES	Expanding Spigot Ø50 mm	2	4	4	6	8	8	8	8	8	8	8	8	
	TaperLok Connection Set*	6	8	14	16	18	22	24	26	30	32	34	38	

Code	LD-SUM2	LD-SUM3	LD-SUM4	LD-SUM5	LD-SUM6	LD-SUM7	LD-SUM8	LD-SUM9	LD-SUM10	LD-SUM11	LD-SUM12	LD-SUM13
Stage Height (mm)	380	570	760	950	1140	1330	1520	1710	1900	2090	2280	2470

\* Connection Set consists of: 1 Conical Spigot, 2 Taper Pins and 2 R Clips

## LITEDECK HANDRAILS

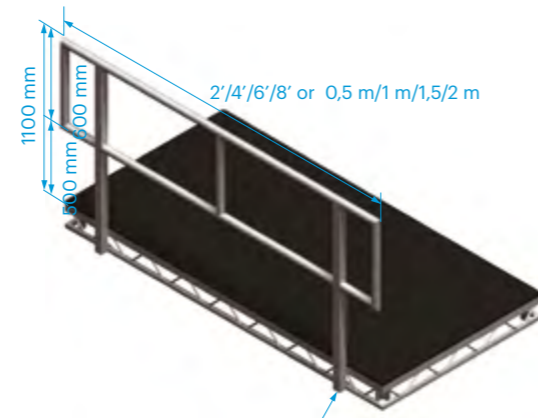
Handrails are a key component in creating safe and useable working platforms. All LiteDeck handrail products are constructed from 6082T6 aluminium section, and are designed to bolt, quickly and securely, to

### OPEN HANDRAILS

This lightweight design is suitable for staging applications where the area will not be used for public access.



specific mounting points located on the side of each deck. LiteDeck handrails are available in two configurations, with the appropriate handrail system dependent upon the application and therefore the required legislative conformity.



NEEDED FOR ASSEMBLY:

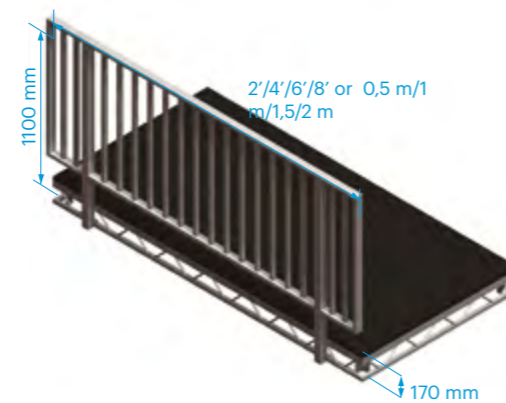
Description:	Code:
M10 x 90, 8.8 DIN931	BM-M10X090
Wsh M10 Spring DIN127B	BM-M10-SW
Nut M10 DIN934	BM-M10-N

Imperial	2' Rail	4' Rail	6' Rail	8' Rail
Length	2'	4'	6'	8'
Weight	3,5 kg	6,4 kg	7,2 kg	8,4 kg
Code	LD-HS2	LD-HS4	LD-HS6	LD-HS8

Metric	1 m Rail	2 m Rail
Length	1000 mm	2000 mm
Weight	6,14 kg	7,8 kg
Code	LD-MH51	LD-MH52

### SPOKED HANDRAILS

This design incorporates vertical rails to offer protection where the area will be open to public access. The apertures conform to British Standard regulations and therefore the product complies with typical exhibition hall stipulations.



Imperial	2' Rail	4' Rail	6' Rail	8' Rail
Length	2'	4'	6'	8'
Weight	6,2 kg	12,3 kg	15,3 kg	18,6 kg
Code	LD-HS2E	LD-HS4E	LD-HS6E	LD-HS8E

Metric	1 m Rail	2 m Rail
Length	1000 mm	2000 mm
Weight	10,8 kg	16,1 kg
Code	LD-MHS1E	LD-MHS2E

## LITEDECK ACCESSORIES

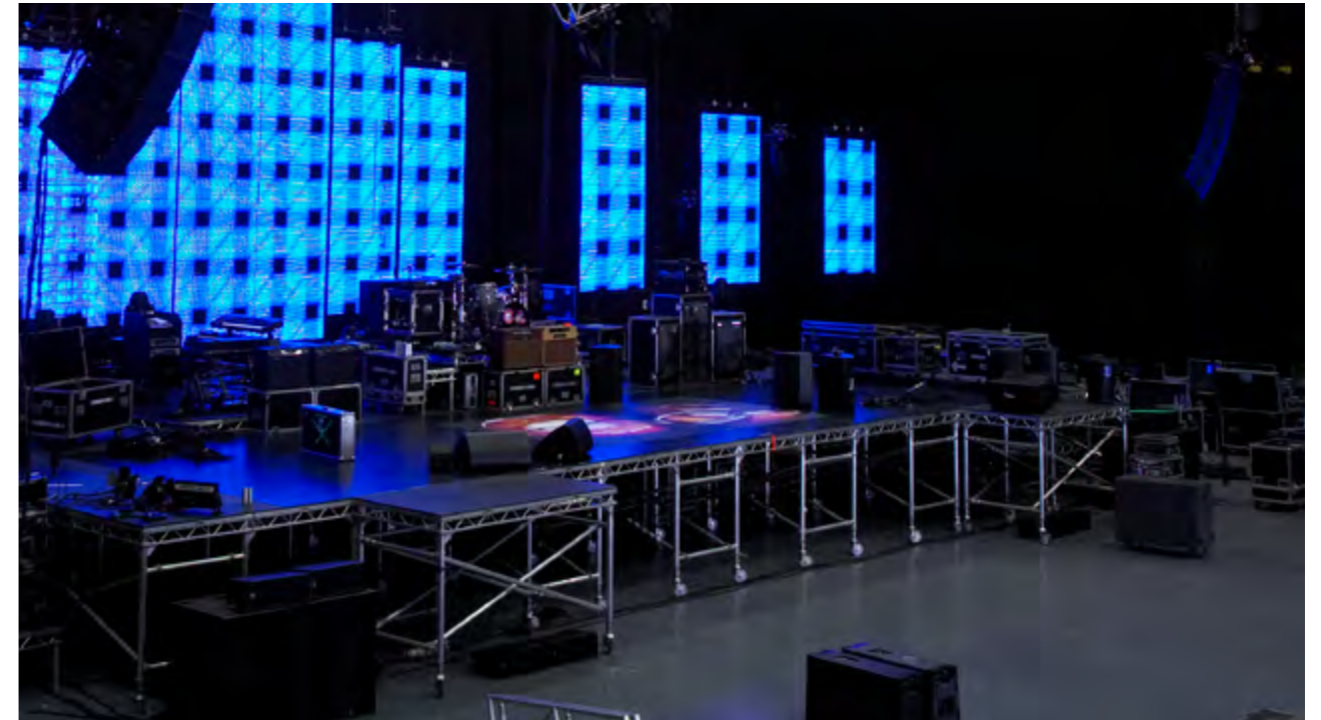


Photo: Stereophonics.

The LiteDeck range is further enhanced by a range of accessories designed specifically to increase the speed and ease of build whilst maintaining the inherent safety aspect of any stage design. Many of these LiteDeck ac-

cessories have been developed on tour, and as such are both quick to use and extremely robust.



Description:	Code:
Nut M10 DIN934	BM-M10-N



Description:	Code:
M10 x 70, 8.8 DIN931	BM-M10X070



Description:	Code:
Spring Washer M10 DIN127B	BM-M10-SW