



Renowned for enduring performance and smart aesthetic design, LiteDeck is the most popular decking system in the demanding world of touring productions. Tried and tested around the world, it is a lightweight yet robust staging solution with a proven record of reliable performance.

TOP OPTIONS

A variety of options for the top board surface completes the LiteDeck range. Provided as standard is our most popular finish, a durable 19 mm plywood painted matte black connected (as with all tops) by a set of bolts which allow removal, maintenance and replacement over the life of the deck. For more elaborate applications, LiteDeck is also available with clear acrylic tops to allow the transmission of lights from under the stage.

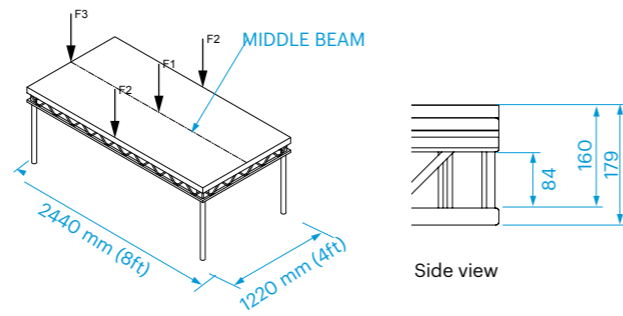


Description	Technical	Code
Macrolon Top	19 mm Hardened Acrylic	Standard deck code followed by Mac

* Please note, special legs (6 mm shorter) are required with this top configuration.

STRUCTURALLY APPROVED

LiteDeck system is designed to provide a 5 kN/m² uniform load rating in all configurations when used in compliance with our assembly guidelines. Only genuine LiteDeck components should be used, and full design calculations and assembly layouts are available on request.



Loading types

Uniformly distributed load	500 kg/m ²
Pointload F1	360 kg
Pointload F2	360 kg
Pointload F3	360 kg

The pointload should be applied to a minimum area of 50 x 50 mm. Pointload to be placed as indicated on drawing. 1 pointload total allowed.

TOPLOK SYSTEM

Introduced specifically in response to feedback from touring productions, the optional TopLok system offers time savings (with crew and cost benefits) in assembling any stage configuration. Utilising an integrated claw catch design, decks can be joined from above with the single turn of an Allen key, ensuring the fastest possible build and strike times.

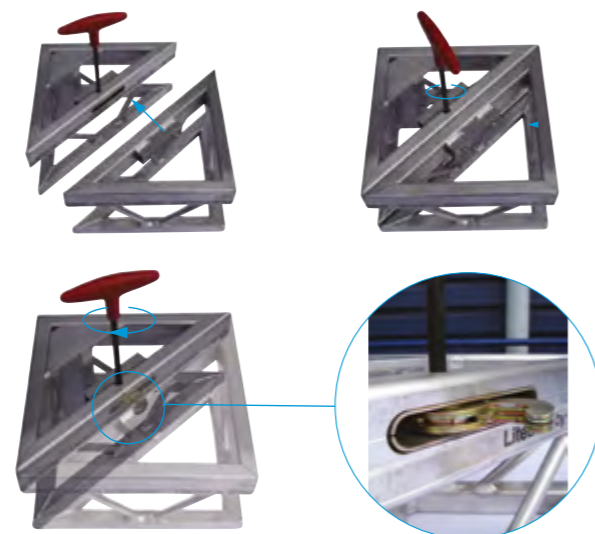


Photo: Scissor Sisters

SHAPES AND SIZES

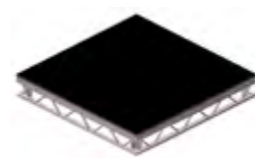
The LiteDeck system is available in a wide range of shapes and sizes, allowing hundreds of stage configurations to be created from a relatively narrow stock of standard components. LiteDeck is also available in either imperial or metric measurements, ensuring compatibility

with structural formats across the world.


* LiteDeck weights are based upon standard units, without TopLok and with the inclusion of 19 mm plywood tops. Other configurations will differ in weight.



Size	Code	TopLok Code	Weight*
4' x 2'	LD-42FT-S	LD-42FT-TL	17,00 kg
8' x 4'	LD-84FT-S	LD-84FT-TL	49,00 kg
2 m x 1 m	LD-21M-S	LD-21M-TL	36,00 kg




Size	Code	TopLok Code	Weight*
4' x 4'	LD-44FT-S	LD-44FT-TL	27,50 kg
1 m x 1 m	LD-11M-S	LD-11M-TL	21,00 kg



Size	Code	TopLok Code	Weight*
4' x 4'	LD-44FT-S-RA	LD-44FT-TLP-RA	19,50 kg
1 m x 1 m	LD-11M-S-RA	LD-11M-TLP-RA	14,50 kg



Size	Code	TopLok Code	Weight*
6' x 4'	LD-64FT-S	LD-64FT-TL	33,50 kg



Size	Code	TopLok Code	Weight*
4' x 4'	LD-44FT-S-IQ	LD-44FT-TL-IQ	13,50 kg




Size	Code	TopLok Code	Weight*
4' x 4'	LD-44FT-S-Q	LD-44FT-TLP-Q	27,00 kg
1 m x 1 m	LD-11M-S-Q	LD-11M-TLP-Q	21,00 kg



Size	Code	TopLok Code	Weight*
8' x 2'	LD-82FT-S	LD-82FT-TL	36,00 kg

Circular Decks
Available on request.



Semi Circular Decks
Available on request.

